

PUMP END VIEW

FIGURE 1 - ASSEMBLED SYSTEM

- 1.) WHILE MAINTAINING A LOAD ON ALL CYLINDER RODS, TURN THE PUMP CRANK COUNTERCLOCKWISE(CCW) UNTIL CRANK WILL NOT ROTATE. THIS WILL ENSURE THAT ALL CYLINDERS ARE COMPLETELY RETRACTED.
IMPORTANT NOTE: REMOVE LOAD ON CYLINDER RODS BEFORE PROCEEDING TO STEP #2.
- 2.) WITH PUMP IN VERTICAL POSITION AS SHOWN ABOVE, UNSCREW THE NUT/FERRULE FROM THE PUMP FITTING THAT IS CONNECTED WITH THE CYLINDER TO BE RECHARGED.
IMPORTANT NOTE: MAKE SURE THAT THE FITTING DOES NOT UNTHREAD FROM THE PUMP END CAP.
- 3.) UNSCREW NUT/FERRULE FROM CYLINDER FITTING.
IMPORTANT NOTE: MAKE SURE THAT THE FITTING DOES NOT UNTHREAD FROM THE PUMP END CAP.
- 4.) MEASURE NEW LENGTH OF FLEXIBLE TUBING FROM TUBING COIL PROVIDED IN KIT. CUT TUBING TO LENGTH WITH SHARP RAZOR KNIFE, MAKING SURE BOTH ENDS ARE CLEAN AND SQUARE. DISCARD OLD NUT/FERRULE/TUBE ASSEMBLY.



MONARCH HYDRAULICS, INC.

Dyna-Lit[®] Group

1363 MICHIGAN ST. NE
GRAND RAPIDS, MI 49503 USA

PHONE: (616) 458-1306
FAX: (616) 458-1616

RCI
REV: 9/01

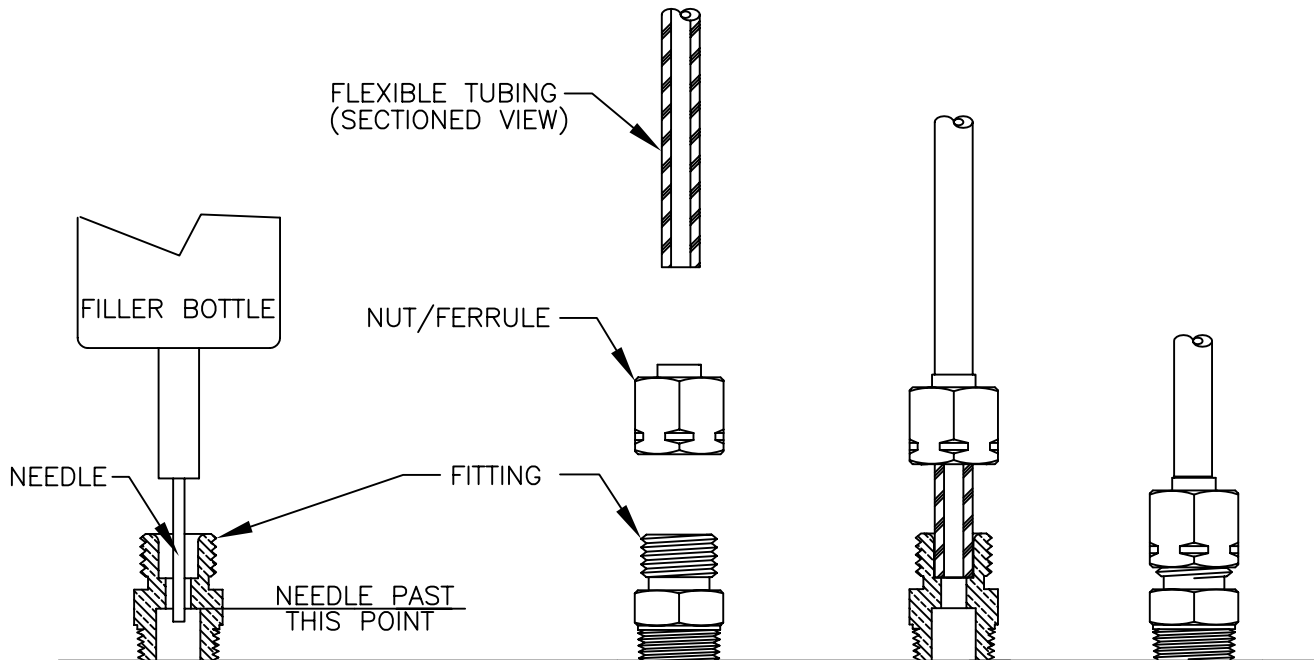


FIGURE 2 – FITTING ASSEMBLY DETAIL

- 5.) FILL OPEN PUMP FITTING WITH DYNALIFT HYDRAULIC FLUID COMPLETELY TO THE TOP.
IMPORTANT NOTE: PUMP FITTING WILL NOT FILL PROPERLY UNLESS FILLER BOTTLE NEEDLE IS INSERTED PAST THE SMALLEST OPENING IN THE FITTING AS SHOWN IN FIGURE 2 ABOVE.

NOTE: WHEN RECHARGING CYLINDERS WITH FITTING PORTS ON THE SIDE OR THE D STYLE RETROFIT CYLINDER, SKIP STEP #6 AND REFER TO PAGE 3 OF 4. OTHERWISE, PROCEED WITH STEP #6.

- 6.) SLOWLY AND GENTLY PULL CYLINDER ROD OUT OF CYLINDER TUBE ABOUT 6 INCHES. FILL OPEN CYLINDER FITTING WITH DYNALIFT HYDRAULIC FLUID COMPLETELY TO THE TOP.
IMPORTANT NOTE: PUMP FITTING WILL NOT FILL PROPERLY UNLESS FILLER BOTTLE NEEDLE IS INSERTED PAST THE SMALLEST OPENING IN THE FITTING AS SHOWN IN FIGURE 2 ABOVE.
- 7.) SLIDE NUT/FERRULE OVER ONE END OF TUBING AND INSERT TUBING INTO THE CYLINDER FITTING PORT UNTIL IT BOTTOMS OUT. WHILE MAINTAINING A SLIGHT DOWNWARD PRESSURE ON TUBING, FINGER TIGHTEN NUT/FERRULE DOWN ONTO CYLINDER FITTING. THEN, TIGHTEN NUT/FERRULE AN ADDITIONAL 1 TO 1-1/4 TURNS TO SECURE THE CONNECTION.
- 8.) WHILE HOLDING FREE END OF FLEXIBLE TUBING OVER CONTAINER, COMPRESS CYLINDER ROD INTO CYLINDER TUBE TO FULLY RETRACTED POSITION. THIS WILL EXPEL AIR AND FLUID FROM CYLINDER/TUBING ASSEMBLY. IT WILL ALSO CHARGE THE TUBING WITH FLUID.
- 9.) SLIDE NUT/FERRULE OVER FREE END OF TUBING AND INSERT TUBING INTO THE PUMP FITTING PORT UNTIL IT BOTTOMS OUT. WHILE MAINTAINING A SLIGHT DOWNWARD PRESSURE ON TUBING, FINGER TIGHTEN NUT/FERRULE DOWN ONTO PUMP FITTING. THEN, TIGHTEN NUT/FERRULE AN ADDITIONAL 1 TO 1-1/4 TURNS TO SECURE THE CONNECTION.
- 10.) REPEAT STEPS 2-9 AS NECESSARY.



MONARCH HYDRAULICS, INC.

Dyna-Lift[®] Group

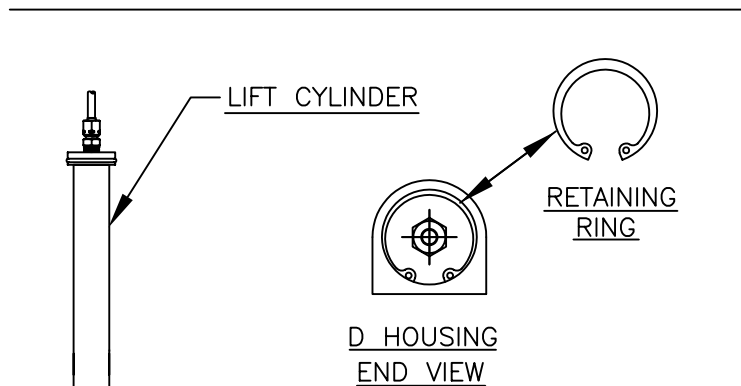
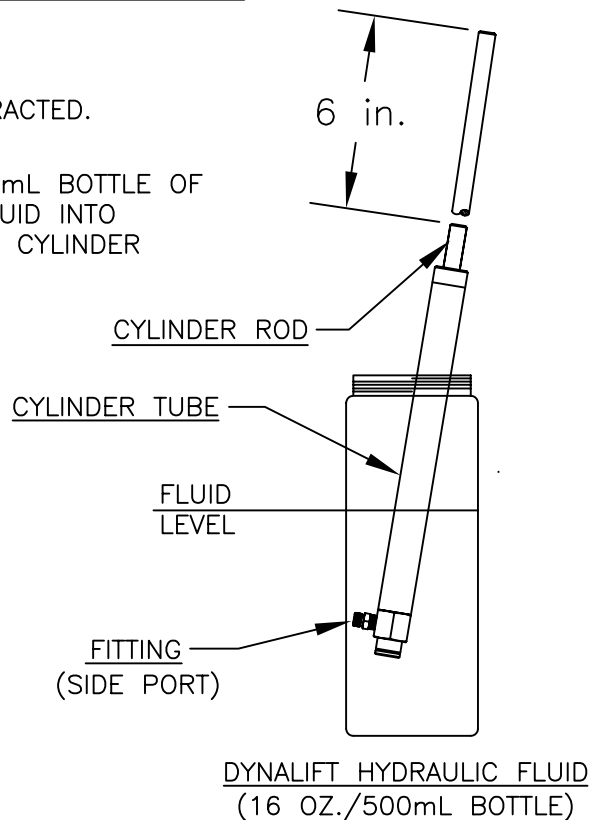
1363 MICHIGAN ST. NE
 GRAND RAPIDS, MI 49503 USA

PHONE: (616) 458-1306
 FAX: (616) 458-1616

RCI
 REV: 9/01

TO CHARGE CYLINDERS PORTED ON SIDE, FOLLOW INSTRUCTIONS BELOW:

- 1.) MAKE SURE ALL CYLINDER RODS ARE FULLY RETRACTED.
- 2.) IMMERSE CYLINDER FITTING END INTO 16 oz./500mL BOTTLE OF DYNALIFT HYDRAULIC FLUID AS SHOWN. DRAW FLUID INTO CYLINDER BY PULLING CYLINDER ROD 6 IN. FROM CYLINDER TUBE, AS IF DRAWING FLUID INTO A SYRINGE.
- 3.) CONTINUE WITH STEPS 7-9 ON PAGE 2 OF 2.
- 4.) REPEAT STEPS AS NECESSARY.

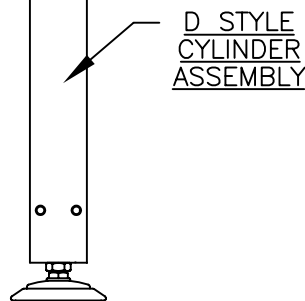


TO CHARGE D STYLE CYLINDER FOLLOW INSTRUCTIONS BELOW.

- 1.) MAKE SURE ALL CYLINDER RODS ARE FULLY RETRACTED.
- 2.) REMOVE RETAINING RING FROM D HOUSING WITH STANDARD INTERNAL RETAINING RING PLIERS. (NOT INCLUDED)
- 3.) REMOVE LIFT CYLINDER FROM FROM D HOUSING.
- 4.) FOLLOW STEPS 2-9 ON PAGES 1 AND 2.
- 5.) INSERT CYLINDER BACK INTO D HOUSING.
- 6.) REINSTALL RETAINING RING INTO D HOUSING RETAINER RING GROOVE WITH STANDARD INTERNAL RETAINING RING PLIERS.

IMPORTANT NOTE: MAKE SURE RETAINING RING IS FULLY SEATED INTO RING GROOVE BEFORE PROCEEDING.

- 7.) REPEAT STEPS AS NECESSARY.



MONARCH HYDRAULICS, INC.

Dyna-Lift[®] Group

1363 MICHIGAN ST. NE
GRAND RAPIDS, MI 49503 USA

PHONE: (616) 458-1306
FAX: (616) 458-1616

RCI
REV: 9/01

DYNALIFT SYSTEM RECHARGE KIT CONTENTS:

- (1) SET OF DYNALIFT SYSTEM RECHARGE INSTRUCTIONS.
- (1) SET OF DYNALIFT HYDRAULIC FLUID M.S.D.S. SHEETS.
- (1) 16 oz./(500mL) BOTTLE OF DYNALIFT HYDRAULIC FLUID.
- (1) 36 ft.(11 meter) COIL OF FLEXIBLE HYDRAULIC TUBING.
- (1) 8 oz. FILLER BOTTLE.
- (1) FILLER BOTTLE CAP.
- (1) 14 GA. FILLER BOTTLE NEEDLE.
- (10) NUT/FERRULES.



MONARCH HYDRAULICS, INC.

Dyna-Lift Group

1363 MICHIGAN ST. NE
GRAND RAPIDS, MI 49503 USA

PHONE: (616) 458-1306
FAX: (616) 458-1616

RCI
REV: 9/01